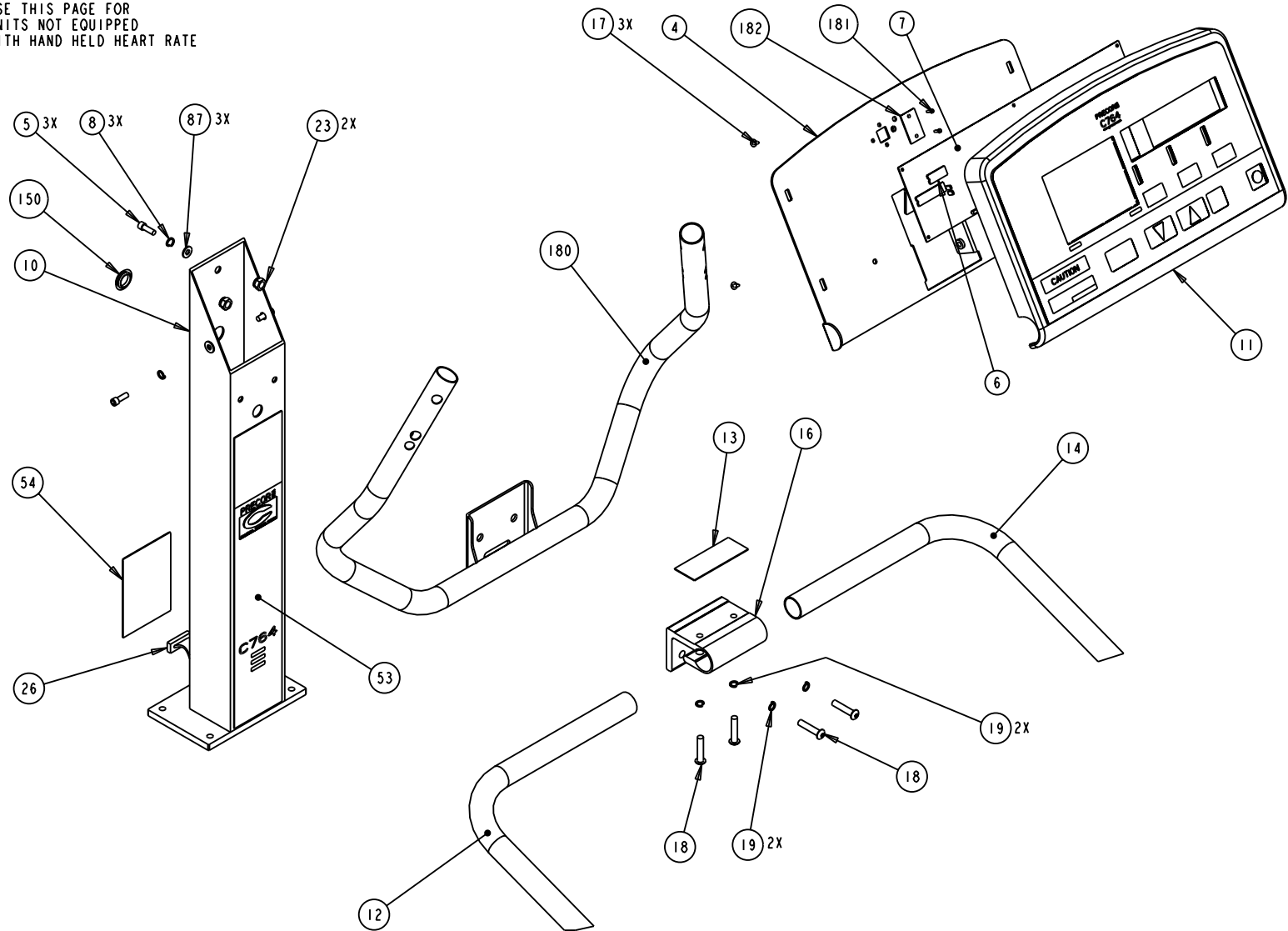


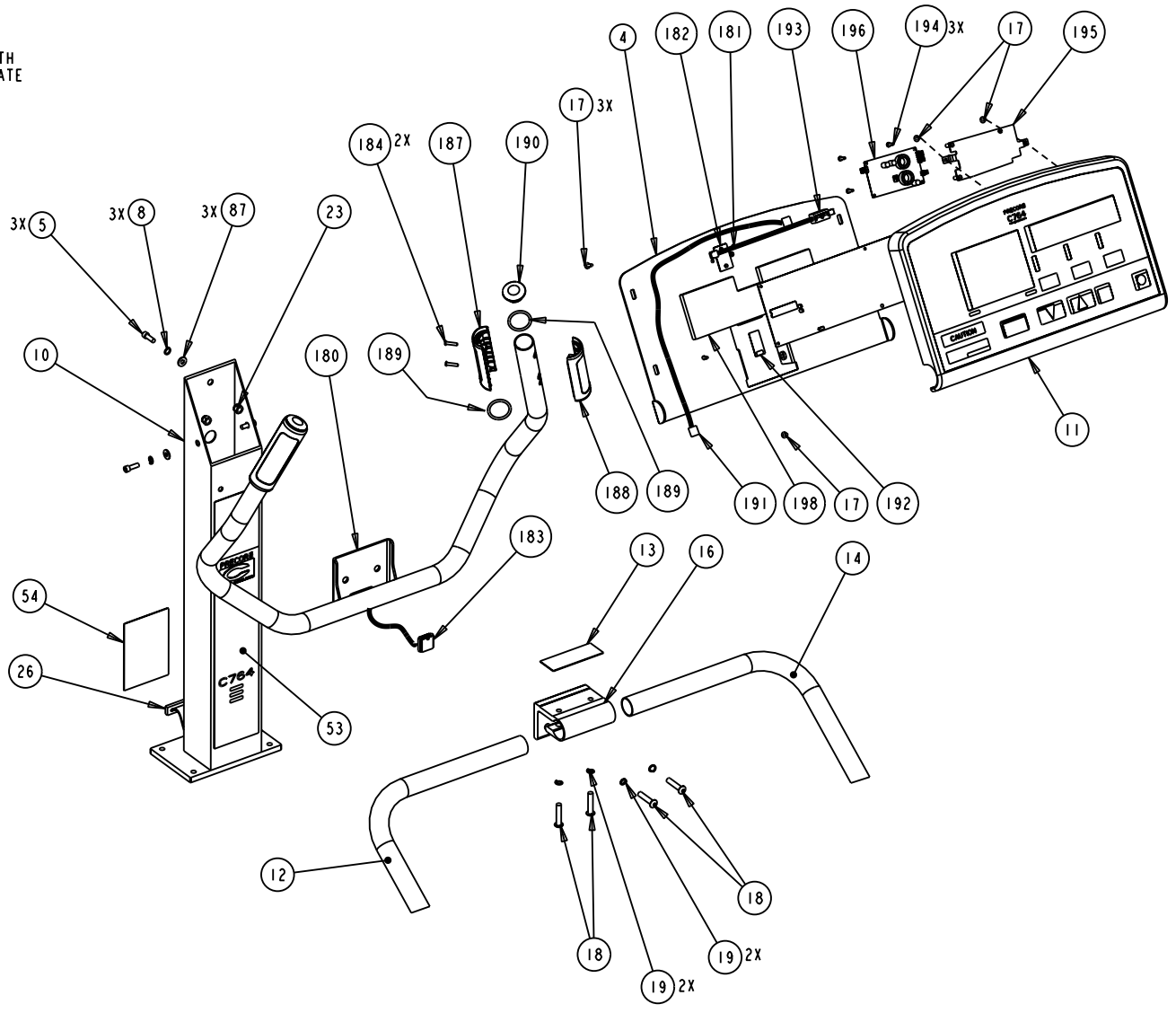
C762, C764	P/N 36302-101	REV: N
DRAWN BY: M.HAMILTON	DATE: 01.09.06	SHEET 1 OF 8

USE THIS PAGE FOR
 UNITS NOT EQUIPPED
 WITH HAND HELD HEART RATE

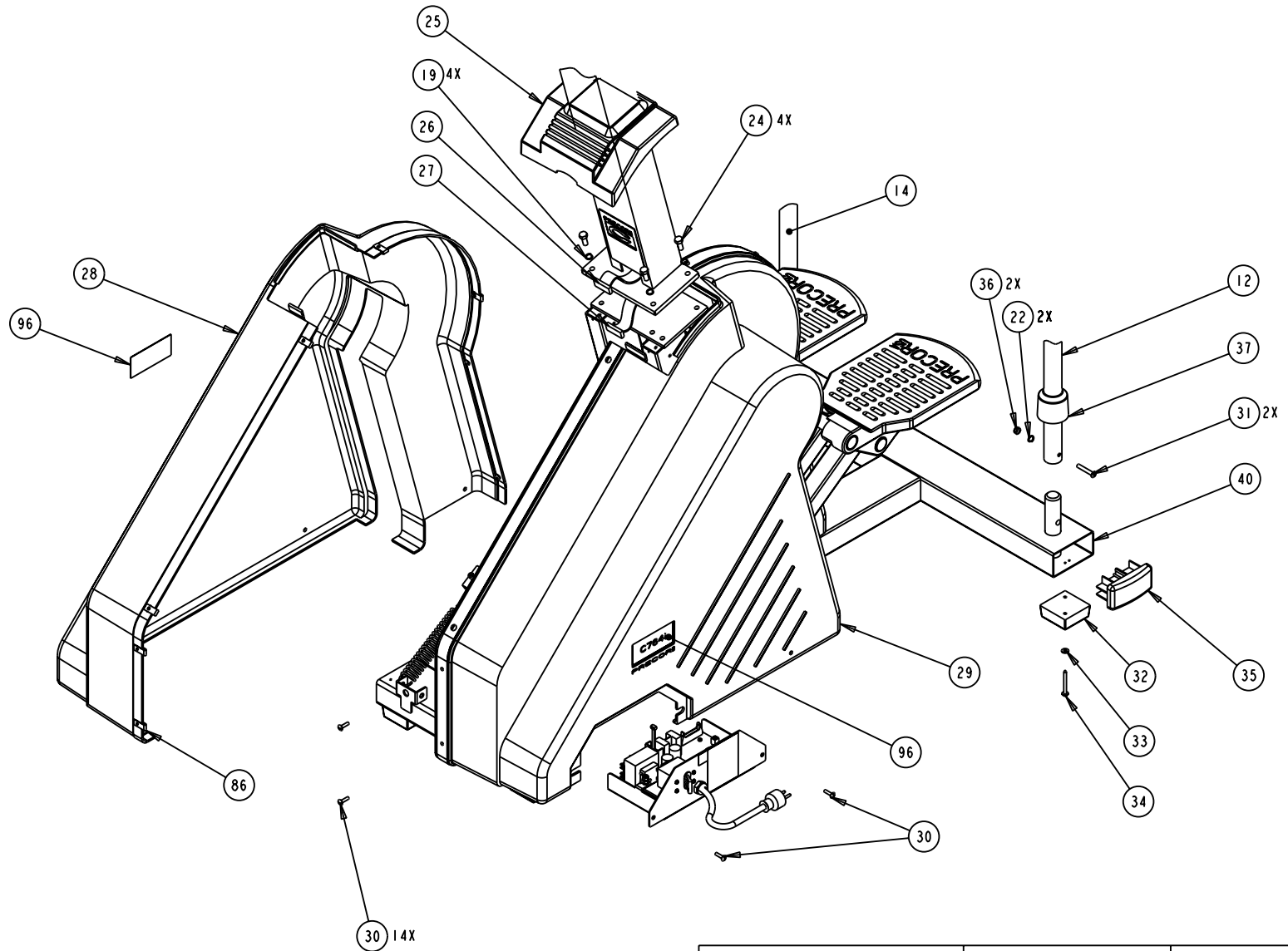


C762, C764	P/N 36302-101	REV: N
DRAWN BY: M.HAMILTON	DATE: 01.09.06	SHEET 2 OF 8

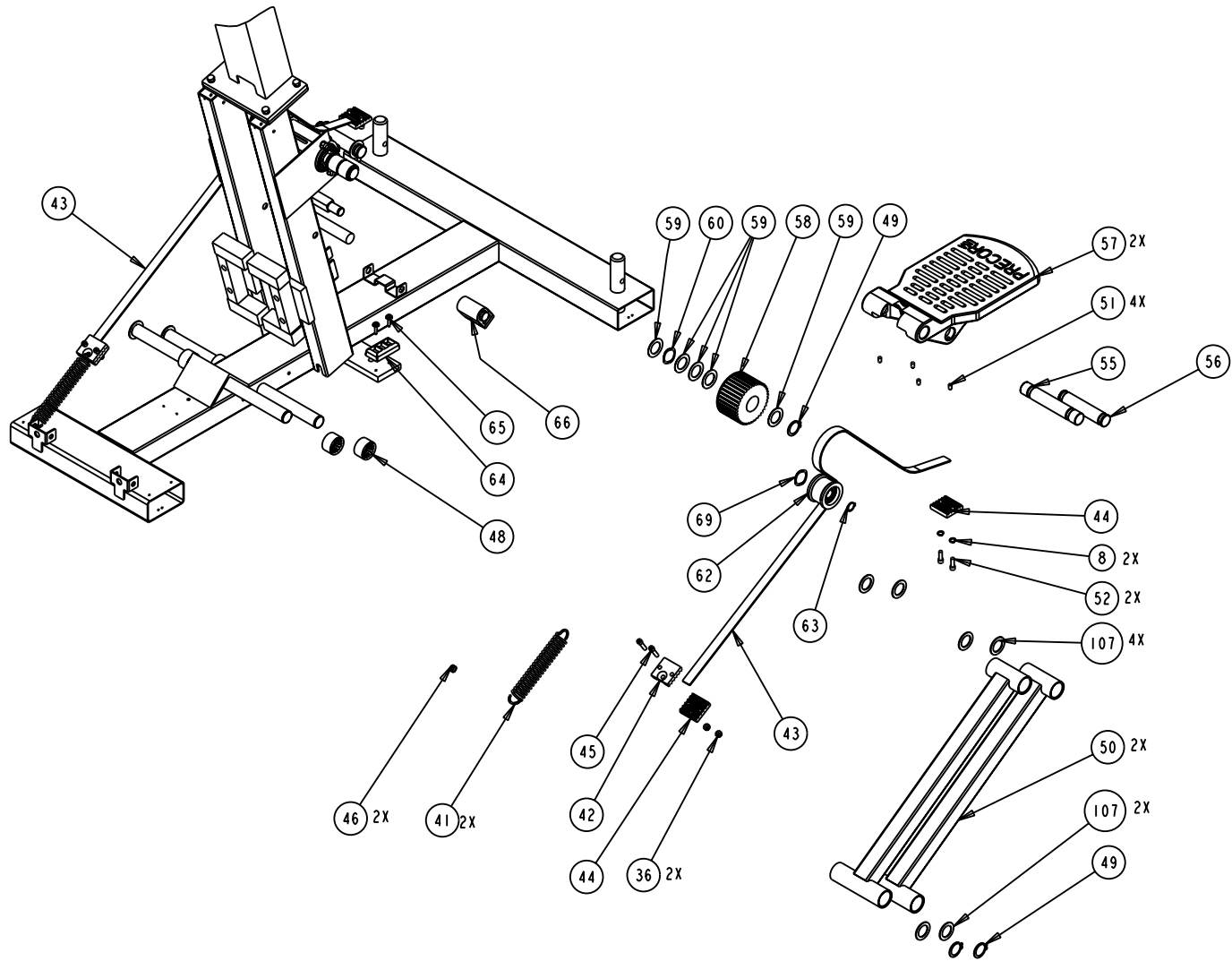
USE THIS PAGE FOR
 UNITS EQUIPPED WITH
 HAND HELD HEART RATE



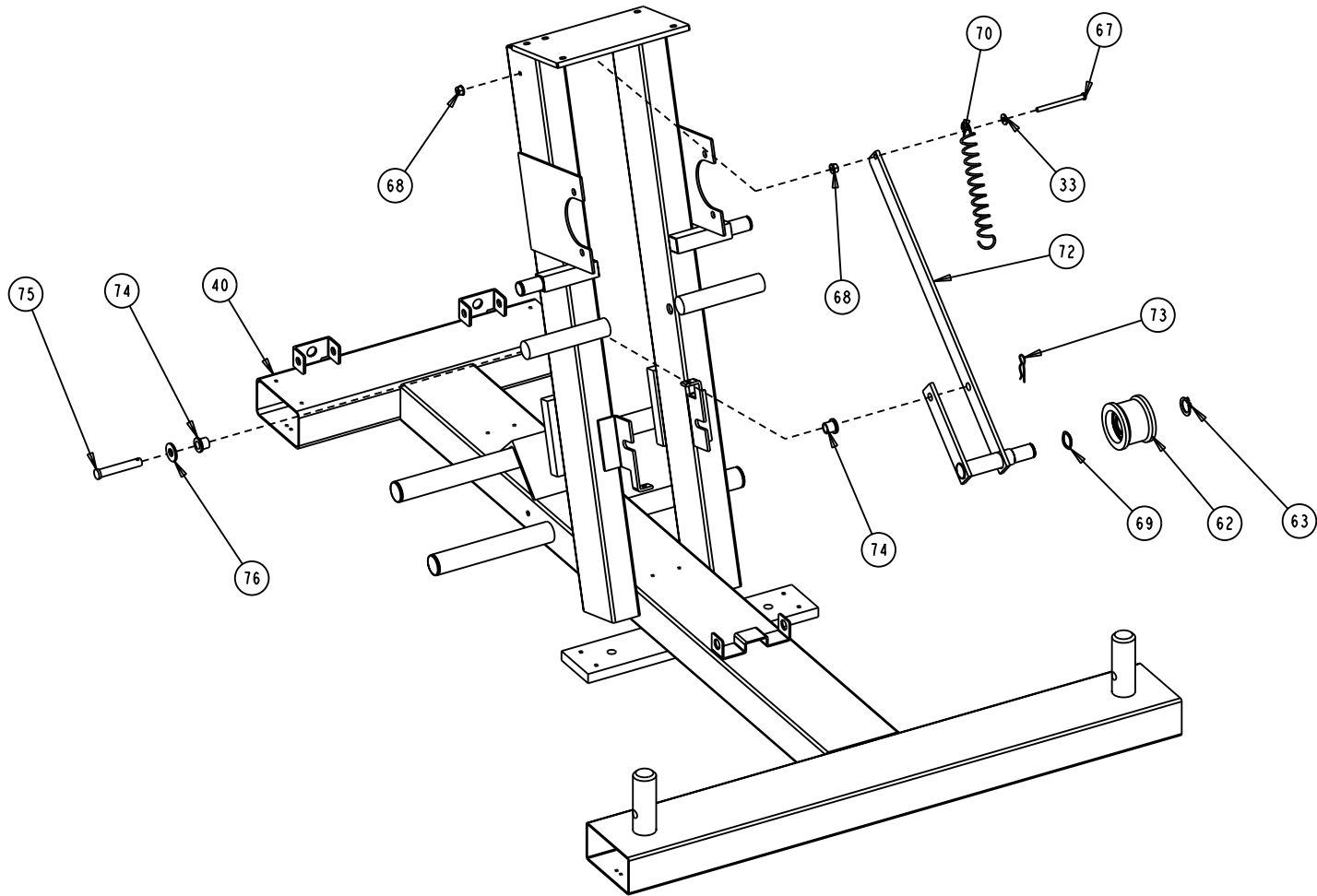
C762, C764	P/N 36302-101	REV: N
DRAWN BY: M.HAMILTON	DATE: 01.09.06	SHEET 3 OF 8



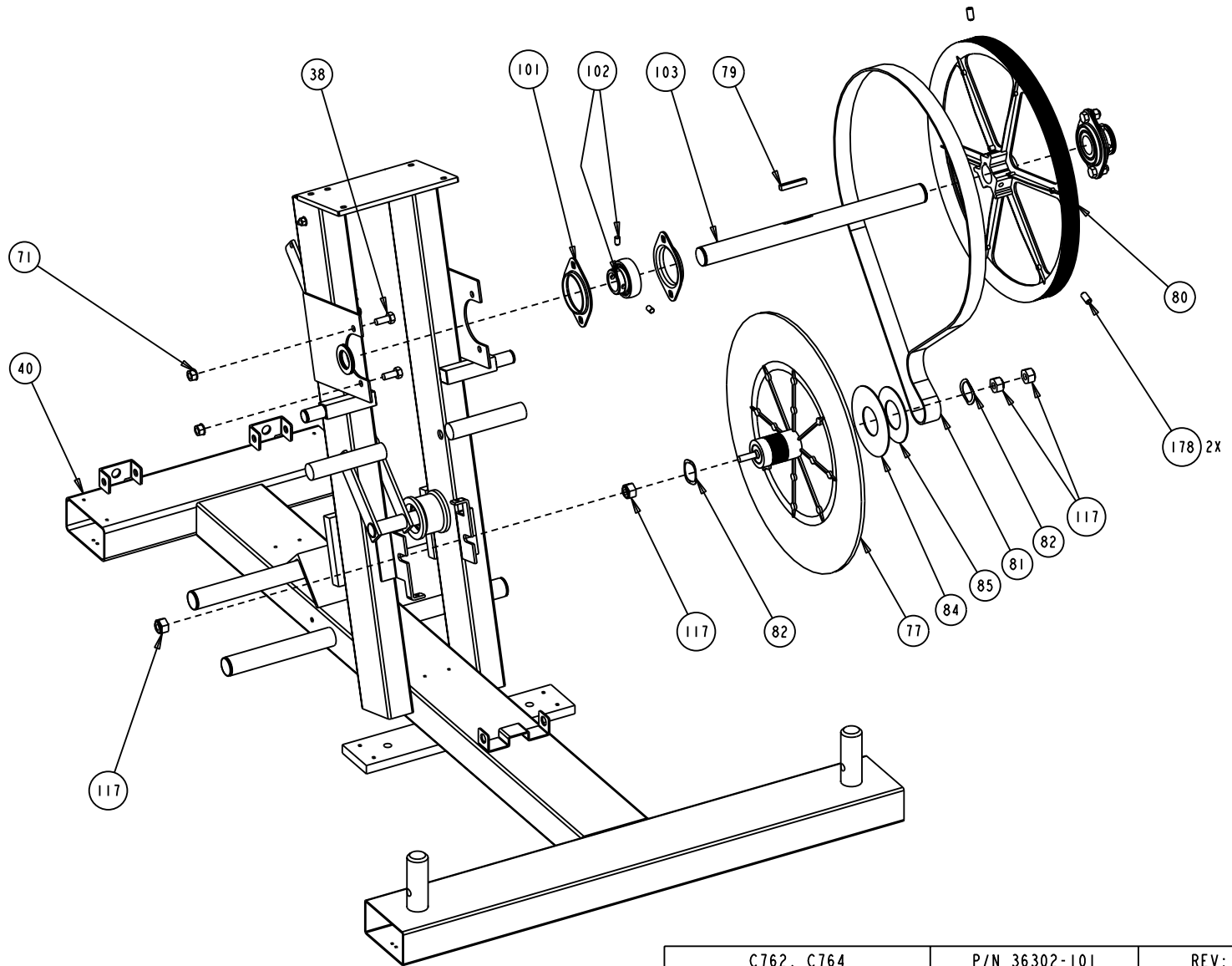
C762, C764	P/N 36302-101	REV: N
DRAWN BY: M.HAMILTON	DATE: 01.09.06	SHEET 4 OF 8



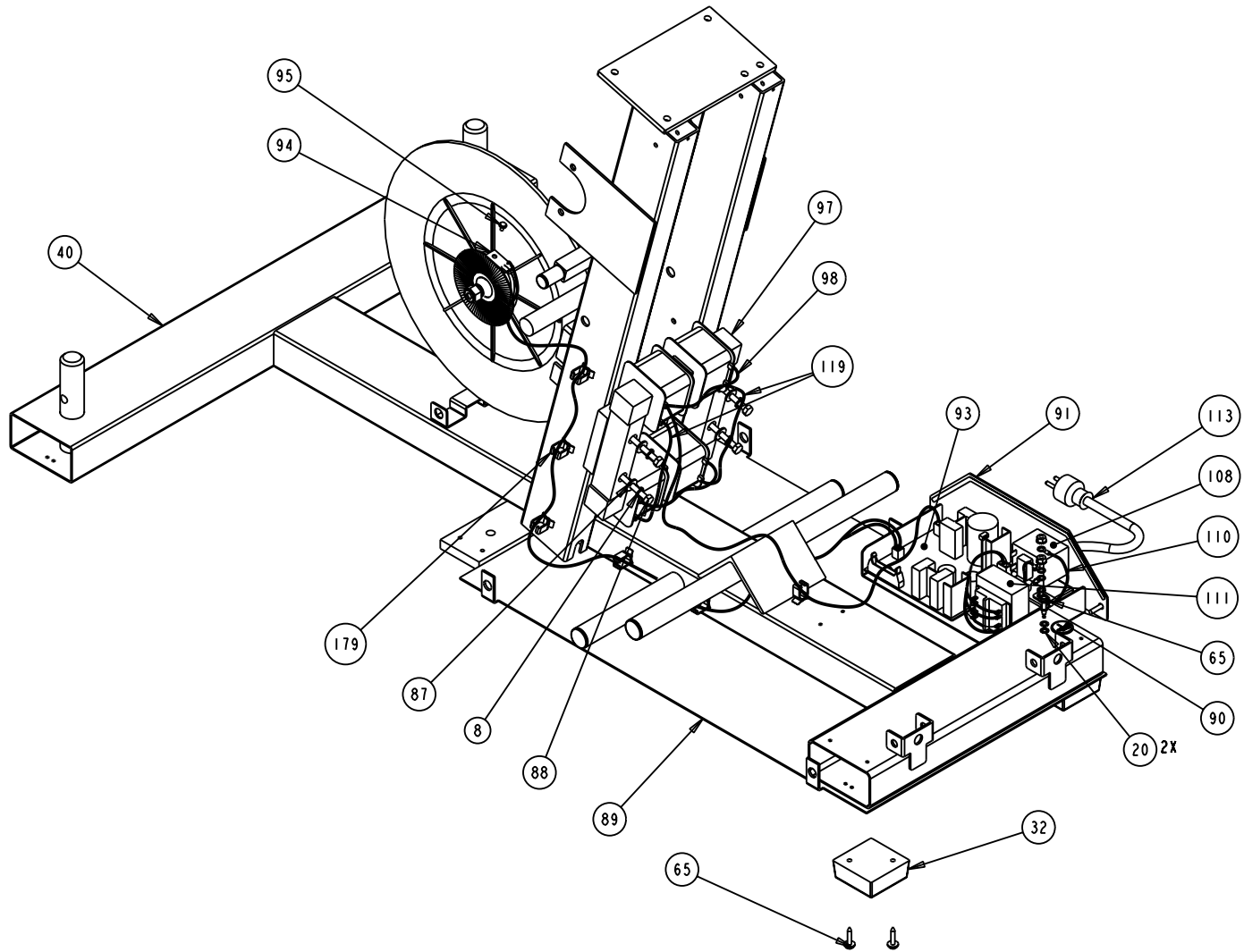
C762, C764	P/N 36302-101	REV: N
DRAWN BY: M.HAMILTON	DATE: 01.09.06	SHEET 5 OF 8



C762, C764	P/N 36302-101	REV: N
DRAWN BY: M.HAMILTON	DATE: 01.09.06	SHEET 6 OF 8



C762, C764	P/N 36302-101	REV: N
DRAWN BY: M.HAMILTON	DATE: 01.09.06	SHEET 7 OF 8



C762, C764	P/N 36302-101	REV: N
DRAWN BY: M.HAMILTON	DATE: 01.09.06	SHEET 8 OF 8

C764i (120 VAC)(serial code W4, W5, W9)

Part Number	Description	Bubble Number
36063-502	PLATE, DISPLAY BASE, OOH, PT STONE	4
TFTN025-075	SCREW,BTHD,1/4-20X3/4,BLK SHARPERIZ	5
37228-620	PROM, PROGRAMMED, C764	6
WNKN026-006	WASHER,FLT,1/4X.625X.063,BLK ZN	8
WALCN025-006	WASHER, SPLIT LOCK, 1/4 MED,	8
57007-103	ASSY, COLUMN, C764I, TITANIUM	10
57018-102	DISPLAY ASSEMBLY, C764I, CM	11
57011-102	ASSY, HANDLEBAR, LEFT, C764I	12
36187-501	LABEL, HANDLEBAR BRACKET,BLACK	13
36157-108	BRACKET, HANDLEBAR MOUNT	16
PGTN016-050	SCREW,S/T,#8X1/2,TRS,PHIL,BLK SHARP	17
TAKN031-150	SCREW,BTHD,5/16-18X1-1/2,BLK ZN	18
WALCN031-008	WASHER, 5/16 SPLIT LOCK, ZINC	19
WATNN020-002	WASHER, LK-INT, #10, ID=.200,	20
WALCN025-006	WASHER, SPLIT LOCK, 1/4 MED,	22
KDKN031-025	LOCKNUT, FULL, 5/16-18,BLK ZN	23
HCCN031-075	SCREW, HEX HD, GRADE 5, 5/16-18 X .	24
36395-101	COLLAR, ENCLOSURE, RAISED EDGE	25
45345-043	ASSY,CBL,RIBBON,W/FERRITE,43"	26
45346-059	ASSY,CBL,RIBBON,59"	27
57009-102	ASSY, SIDE PANEL, LEFT, C764I, STON	29
MFKN019-075	SCRW,MCH,10-32X3/4,BLK ZN,STAIN TRS	30
TAKN025-150	SCREW,BTHD,1/4-20X1-1/2,BLK ZN	31
32376-101	FOOT,REAR,MOLDED RUBBER,9.3	32
WACN019-005	WASHER, FLT, #10X.500X.049,ZN	33
PJCN019-200	SCREW,10X 2 X 2.0 HEX WA HD,	34
34063-101	ENDCAP	35
KAKN025-013	LOCKNUT,HALF,1/4-20,BLK ZN	36
36099-101	BOOT, HANDLEBAR C760	37
BACN031-075	BOLT, CARRIAGE, 5/16-18X3/4,GR 5,ZN	38
33938-501	WELDMENT, FRAME, C764 OUTSOURCED	40
33970-101	SPRING, EXT. 8IN X 1.63 OD, C760	41
48551-102	CLAMP, BELT C776I, BOTTOM	42
10737-102	BELT, DRIVE, MOTOR C760	43
48551-101	CLAMP, BELT C776I, TOP	44
CATE025-100	SCREW,SKHD,1/4-20X1,BLK SHARPERIZED	45
10379-108	GROMMET, C760	46
31514-101	COLLAR, SHORT SPACER	48
AAHN100-004	RING,RETAINER,EXTERNAL,1	49
44567-101	ASSY,STAIR ARM,C764 O/S	50
EEKN025-050	SCREW,SET,1/4-20X1/2,CUP,HEX,	51
47483-101	LABEL, COLUMN REAR, C764I	53
47482-101	LABEL, COLUMN FRONT, C764I	54
37825-102	SHAFT, STAIRARM PEDAL, LONG	55
36080-103	SHAFT, STAIRARM,SHORT, FINISH	56
33968-102	PEDAL, DIE CAST ALUMINUM,PAINT	57
44779-101	ASSEMBLY, HTD PULLEY	58
WAPNN100-003	WASHER, THRUST, 1.562 OD X .030	59
WAHNN105-002	WASHER, WAVE, 1.351 OD X 1.051	60

36095-101	ASSY, IDLER WHEEL C760	62
ABHN017-001	RING, RETAINER, EXTERNAL	63
31074-101	FOOT, MOLDED PLASTIC C760,C844	64
PKCN019-075	SCREW,S/T,#10X.75,WSHHXHD,ZN	65
49332-101	BUMPER, STAIR ARM STOP, UPPER,WIDE	66
MHCN019-250	SCREW,MCH,10-32X2-1/2,PANHD,	67
KHCN019-013	LOCKNUT, STARWASHER, 10-32,	68
WAGNN062-001	WASHER, WAVE, .87 OD X .62 ID	69
10589-105	SPRING, EXT. 375 X 4.50	70
KGCN031-027	LOCKNUT,STARWASHER,5/16-18,1/2	71
36093-102	ASSY, IDLER C760	72
10400-103	PIN, HITCH, .093 DIA, ZINC, #203	73
10043-104	BEARING, FLANGED, .377 ID, 8.2	74
10401-105	PIN, CLEVIS, DIA3/8 X2.375, ZINC	75
WCCN031-008	WASHER, FLT, 5/16X.875X.083	76
36020-102	ASSY, DISC, C760	77
36109-102	BRACKET, COVER C760	78
34068-103	SHEAVE, 762,764	80
10217-123	BELT, DRIVE, POLY-V, 53 ,530J10, C7	81
WAHNN040-001	WASHER, WAVE I.D .395	82
36172-501	ADHESIVE, TARGET, C760	84
36173-501	LABEL, TARGET, C760	85
10565-101	NUT, EXTRUDED (U-M5)	86
WBNN025-007	WASHER, FLT, 1/4, ID= .281,	87
HCCN025-200	SCREW,HEX,GR 5,1/4-20X2, ZN	88
33949-501	PAN, SAFETY, OOH	89
33984-101	LABEL, SAFETY, GROUND SYMBOL	90
33950-501	BRACKET, PWR ENTRY MODULE,PT	91
36177-104	PCA, LOWER, C760	93.01
DGCN013-031	SCREW, PAN HEAD, CONE WASHER,	95
47485-101	LABEL, SIDE ENCLOSURE C764I	96
34053-103	ASSY,MAGNET,200 DEG C	97
45350-035	ASSY, MAGNET CABLE C76X	98
11019-101	FLANGE, BEARING C760	101
11020-101	BEARING, FLANGE C760	102
37823-301	SHAFT, PRIMARY DRIVE,GRINDING	103
WACBN100-006	WASHER, 1.50 OD X 1.00 ID X	107
36345-104	ASSY, INPUT FILTER 110V,C760	110
36238-109	ASSY, STEPDOWN TRANSFORMER,	111
33972-104	ASSY,LINE CORD,125V,15 AMPS	113
KFCN010-008	LOCKNUT, FULL M10 X 1.0,ZINC PLT	117
36475-103	LABEL, PINCH-POINT	118
45348-009	ASSY,CBL,1C,18AWG,QK DISC,YELLOW,9"	119
47718-101	HOLE PLUG, PLASTIC .875 X.03-.08	150
11091-101	FERRITE,FOR FLAT RIBBON CABLE	177
EKKN031-050	SCREW,SET,5/16-18X1/2,KNRLDCUP	178
11278-101	CABLE CLAMP,INSERT	179
44722-102	ASSY, VERTICAL BARS, C764, HHR	180
44777-102	ASSY, C764, VERTICAL HBARS, HHR	180
MGTN016-038	SCREW,MCH,8-32X3/8,PANHD,PHIL,BLK S	181
38844-503	COVER,CUT-OUT,C-SAFE,STONE,PT,OOH	182
44632-036	ASSY, CABLE, HHR GRIP, 36"	183

TCNN016-075	SCREW, BTHD, 8-32X.75,SS	184
42714-102	HHHR SENSOR,BOTTOM	187
42713-102	HHHR SENSOR, TOP	188
10115-113	O-RING, ROUND, 1.25ID X .139	189
42730-101	PLUG, HHR, HANDLE BAR END	190
47341-018	ASSY, CABLE, HHR PCA, W/SHIELD, 18	191
49725-101	RECEIVER, WIRELESS, HEART RATE, HIG	192
49341-013	ASSY,CBL,HHR TO DISPLAY,HP/FERRITE	193
MGCN013-050	SCREW,MCH,6-32X1/2,PANHD,PHIL,	194
44628-101	BRACKET, HHR BOARD, C764I	195
44627-102	BOARD,HAND HHR,ISOLATED VERSION	196
44625-101	FOAM SPACER, ANTI-STATIC	198
33987-501	KIT, HARDWARE, C760	200
33989-101	SHIPPER, MAIN C760	201
36306-101	SHIPPER, CONSOLE SUPPORT C760	203
BHCN038-250	BOLT, LAG, HEX HD 3/8 X 2-1/2	210
36096-113	KIT, LITERATURE, C764I	999